

# SYARIKAT CERAMECH

## KILNS AND FURNACES AND CERAMIC EQUIPMENT



### **THE 1.5 CUBIC METER CERAMECH GAS SHUTTLE KILN**

#### THE 1.5 CUBIC METER CERAMECH GAS SHUTTLE KILN

Since 1986 Syarikat Ceramech has been serving the Ceramic Industry in Malaysia. We were the first to introduce the Ceramic Lined Gas Fiber Kilns to the Malaysian Ceramic Industry.

The advantage of the fiber lined kiln has been many. It was the first time that potteries could fire their products within a 24 hour cycle. The simplicity of gas firing with the simple venturi burners meant that it was easy to learn and control.

But the greatest advantage of the Ceramech Fiber Lined Gas fired Kilns lies in the form of fuel saving. Fuel usage for our kilns were one quarter the amount used by previous insulation brick lined kilns of equivalent capacity.

The 1.5 cubic meter Ceramech Gas Shuttle Kiln is design for the small and mid size potteries. It is capable of firing up to 1300 degrees Celsius. It will fire up to 250 pieces of Standard size Handformers, and is capable of both an oxidizing or a reducing atmosphere. This capability meant it is versatile enough to fire earthenware right up to stoneware and porcelain.

Designed by Malaysians, for Malaysians, the kiln is low and easy to load by a person of about 1.6M tall. It is design to be narrow, so that the person can easily load to the middle of the kiln cars. Kiln cars is lightweight, with ball bearing wheels for ease of movement. Being low and narrow, meant that temperature distribution is more even.

The outer dimension of the kiln is : 2340mm L x 1675mm W x 2060mm H

The working dimension of the kiln is: 1600mm L x 902mm W x 1235mm H

Maximum working height is: 1860mm

This kiln can be loaded, complete with trackage and cars, into a standard 20 footer container. It is capable of relocation in the later stage of its life span.

The kiln is designed for long life, with a stainless steel outer shell on a strong framework of hollow section. The lining is designed for ease of maintenance and repair.

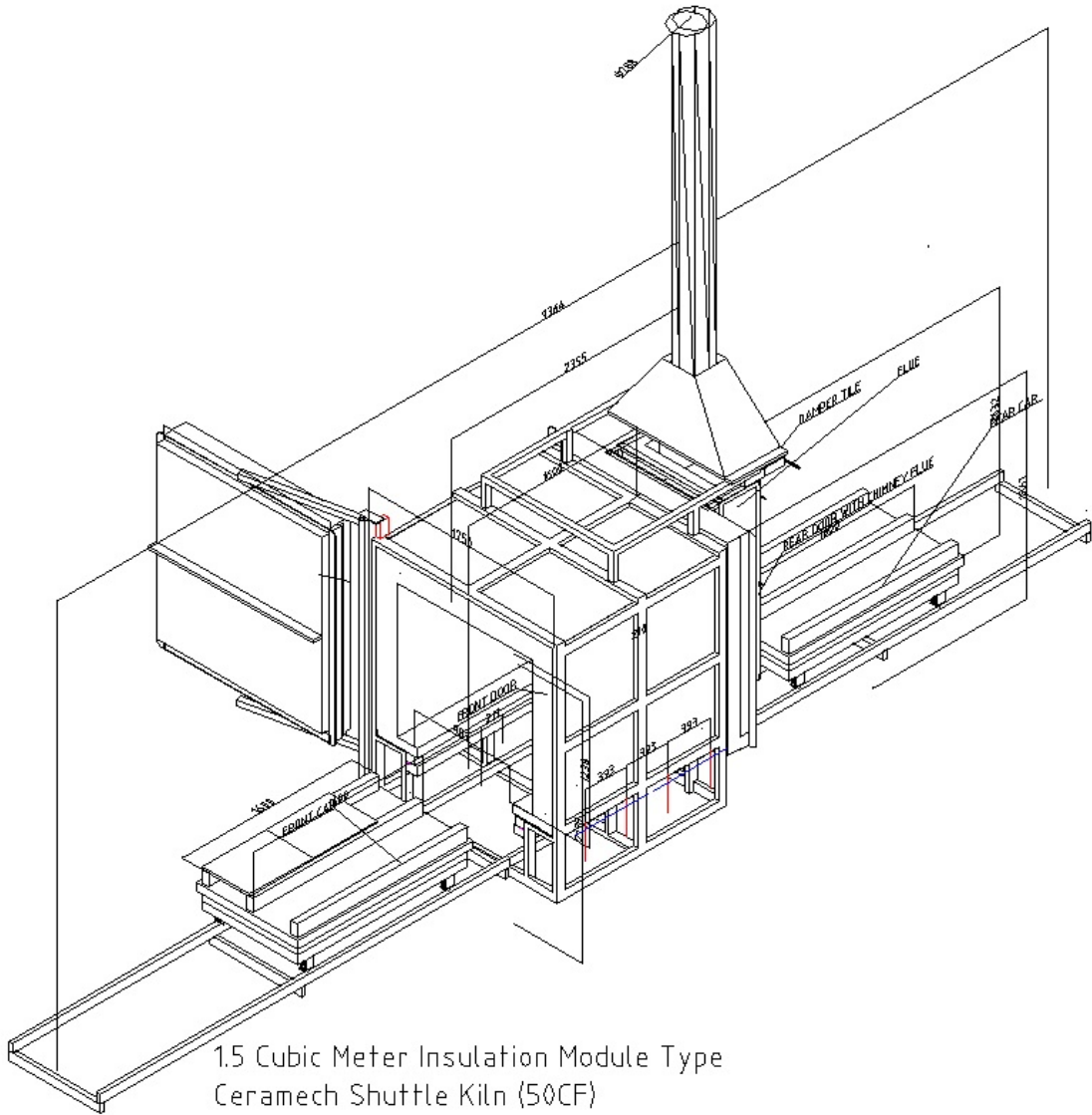
For fast turn around and ease of use, the kiln has two doors, with the flue built into the rear door. Two sets of kiln cars can be provided, so that while one set is firing, the other set can be unloaded and reload.

Because of customer request, the kiln is designed to be upgradeable.

The basic kiln is a manually lit and fired downdraft kiln. This kiln is supplied with 8 venturi burners firing upwards. Each burner is incorporated with a flame failure device to ensure kiln safety. A Type R Thermocouple and indicator is provided as a standard.

For those who wants automatic start up and control, a control panel to start up the kiln is required, each burner will need to be incorporated with a flame sense and ignition device, and necessary solenoid. Gas supply will need to be tied to a main solenoid and a proportionating valve. This will be control by a programmable controller. Various option are offered. The usual is based on the Omron E5AN programmable controller. This is capable of up to 8 program of up to 16 segment. Temperature sensing to the controller is via a Type R Thermocouple.

The usual set up for this type of kiln is to fire in oxidation. For automated reduction firing, the damper of the kiln is controlled by a secondary set of sensor to monitor the oxygen potential inside the kiln atmosphere.



1.5 Cubic Meter Insulation Module Type  
Ceramech Shuttle Kiln (50CF)