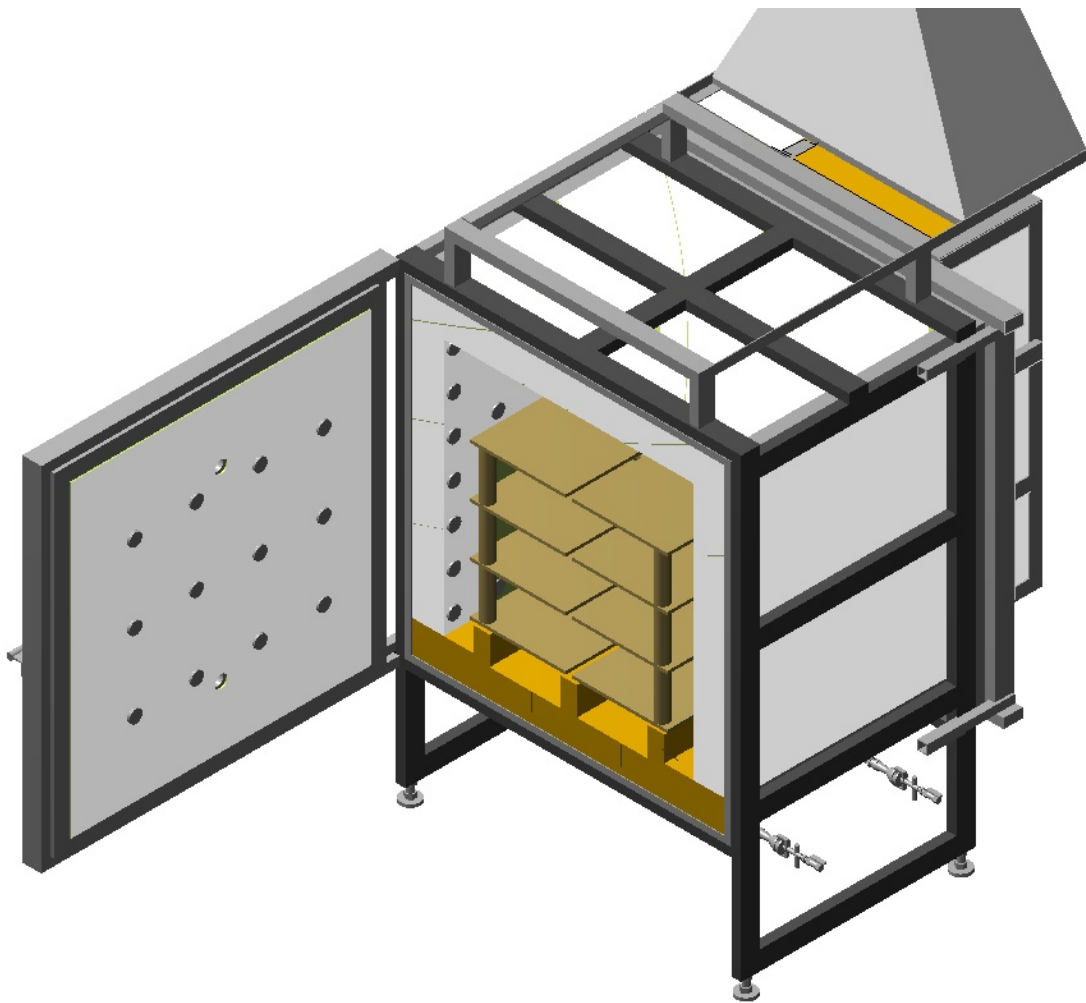


SYARIKAT CERAMECH

KILNS AND FURNACES AND CERAMIC EQUIPMENT



THE 20 CUBIC FOOT CERAMECH 2 DOOR STUDIO KILN

THE 20 CUBIC FOOT OR 0.6 CUBIC METER CERAMECH GAS
STUDIO KILN

Since 1986 Syarikat Ceramech has been serving the Ceramic Industry in Malaysia. We were the first to introduce the Ceramic Lined Gas Fiber Kilns to the Malaysian Ceramic Industry.

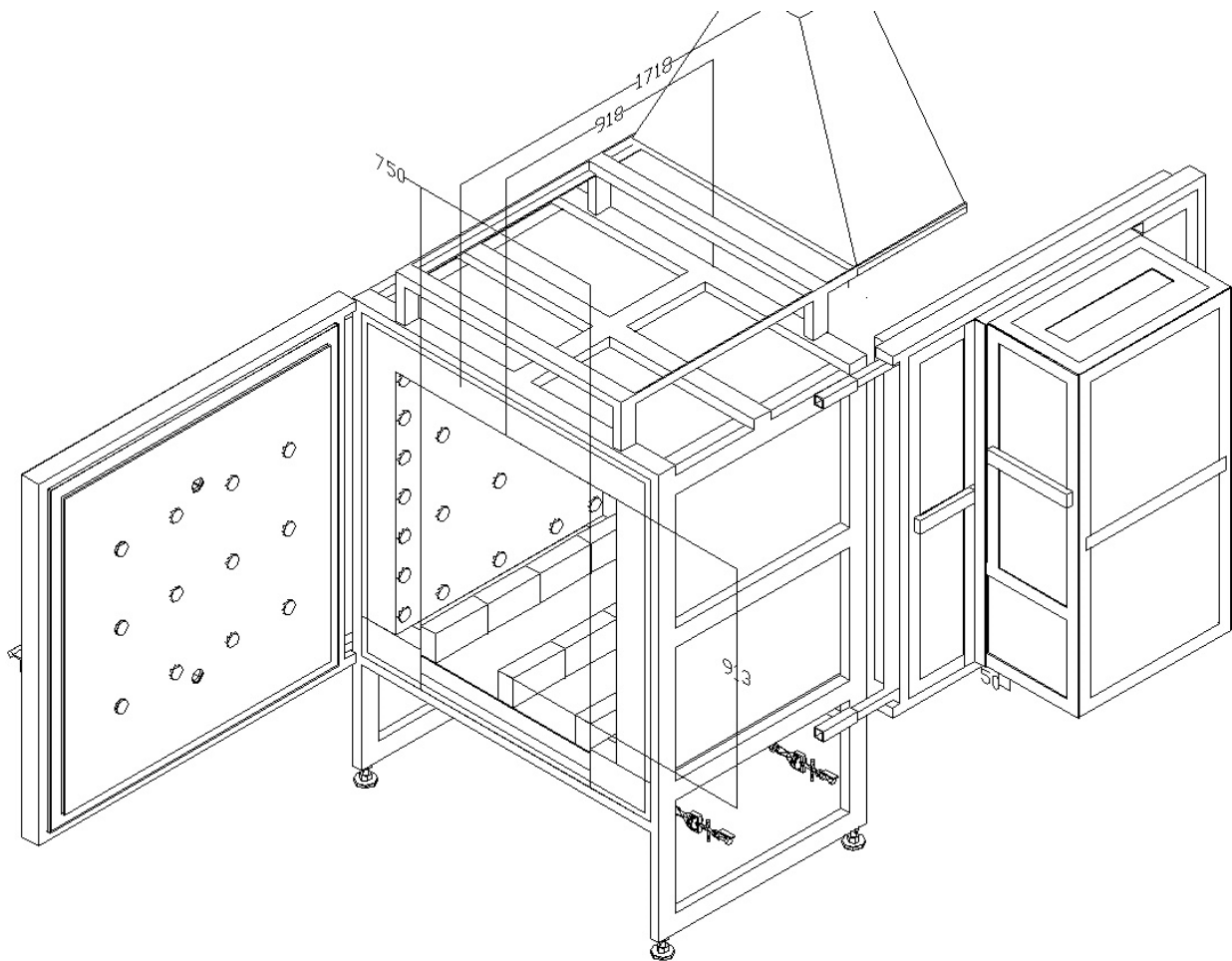
The advantage of the fiber lined kiln has been many. It was the first time that potteries could fire their products within a 24 hour cycle. The simplicity of gas firing with the simple venturi burners meant that it was easy to learn and control.

But the greatest advantage of the Ceramech Fiber Lined Gas fired Kilns lies in the form of fuel saving. Fuel usage for our kilns were one quarter the amount used by previous insulation brick lined kilns of equivalent capacity.

The Ceramech 20 CF studio kiln is our largest kiln without a kiln car, as any larger size will be difficult to access the center of the kiln. Two doors meant that the user can load and unload from the front and behind simultaneously, and the center of the kiln is within an arms length.

The outer dimension of the kiln is : 1750mm L x 1650mm W x 1700mm H

The working dimension of the kiln is: 975mm L x 875mm W x 900mm H



CERAMECH 20 CF 2 DOOR STUDIO